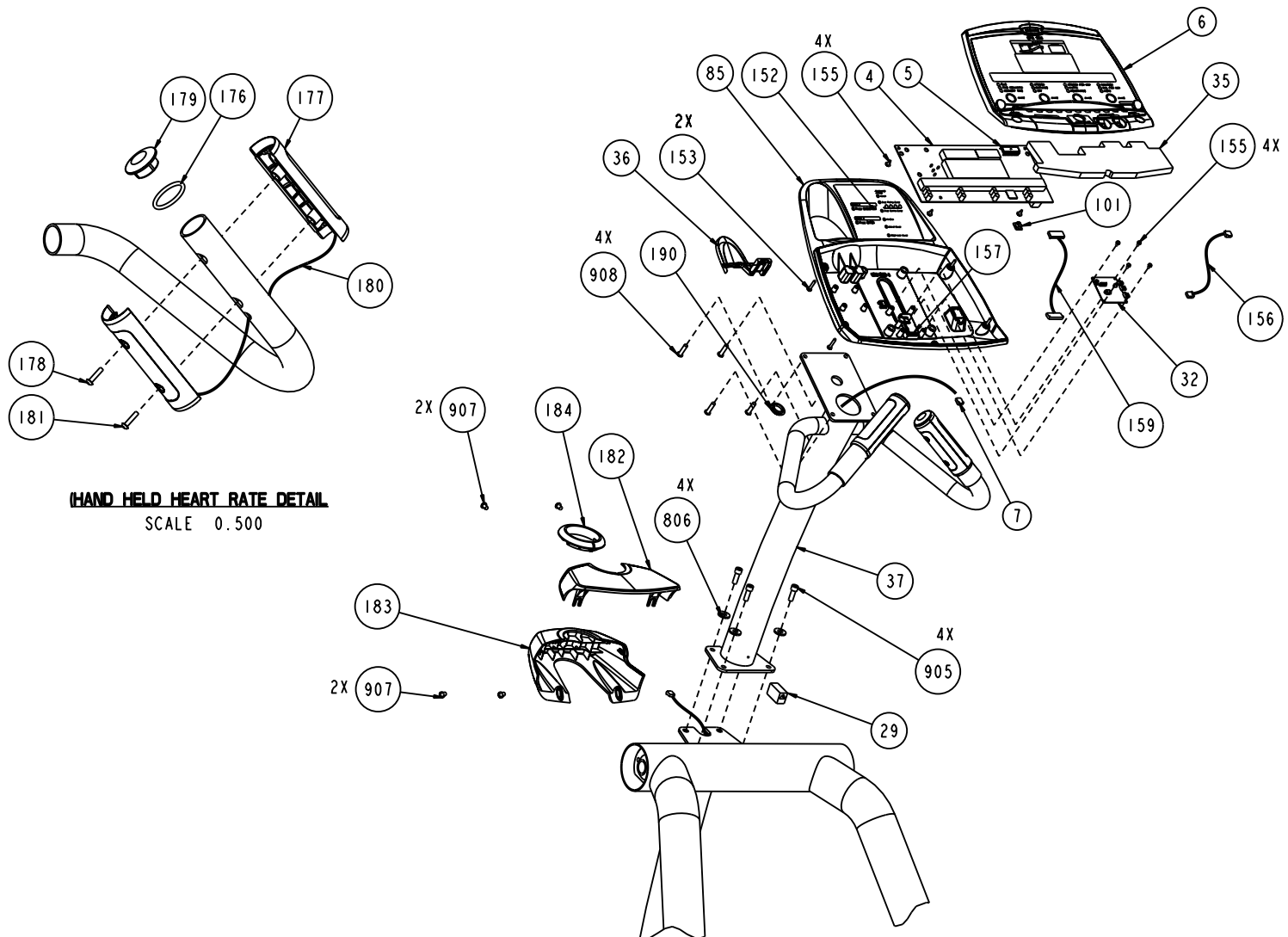
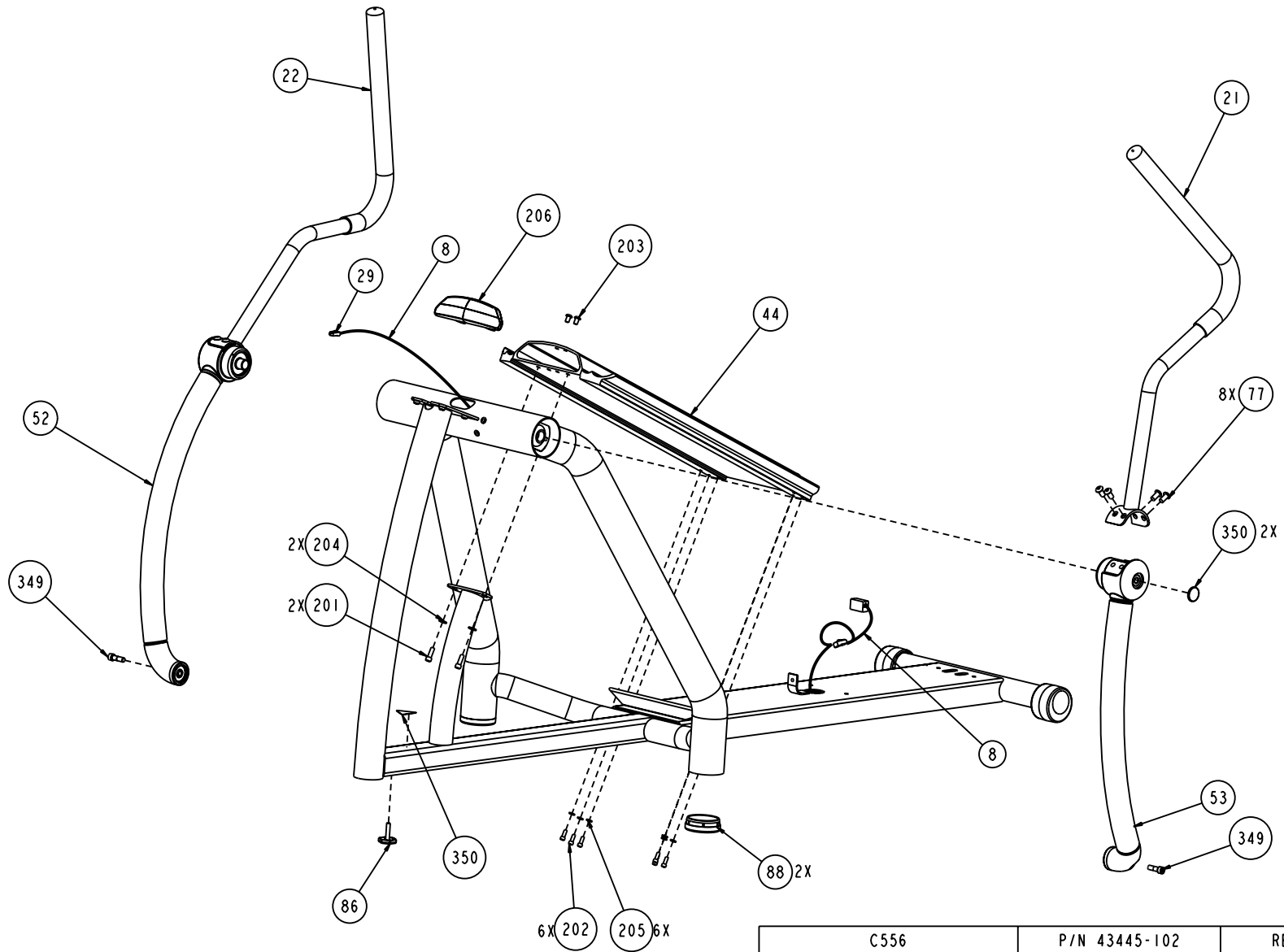


C556	P/N 43445-102	REV: H
DRAWN BY: M.HAMILTON	DATE: 04.09.04	SHEET 1 OF 6

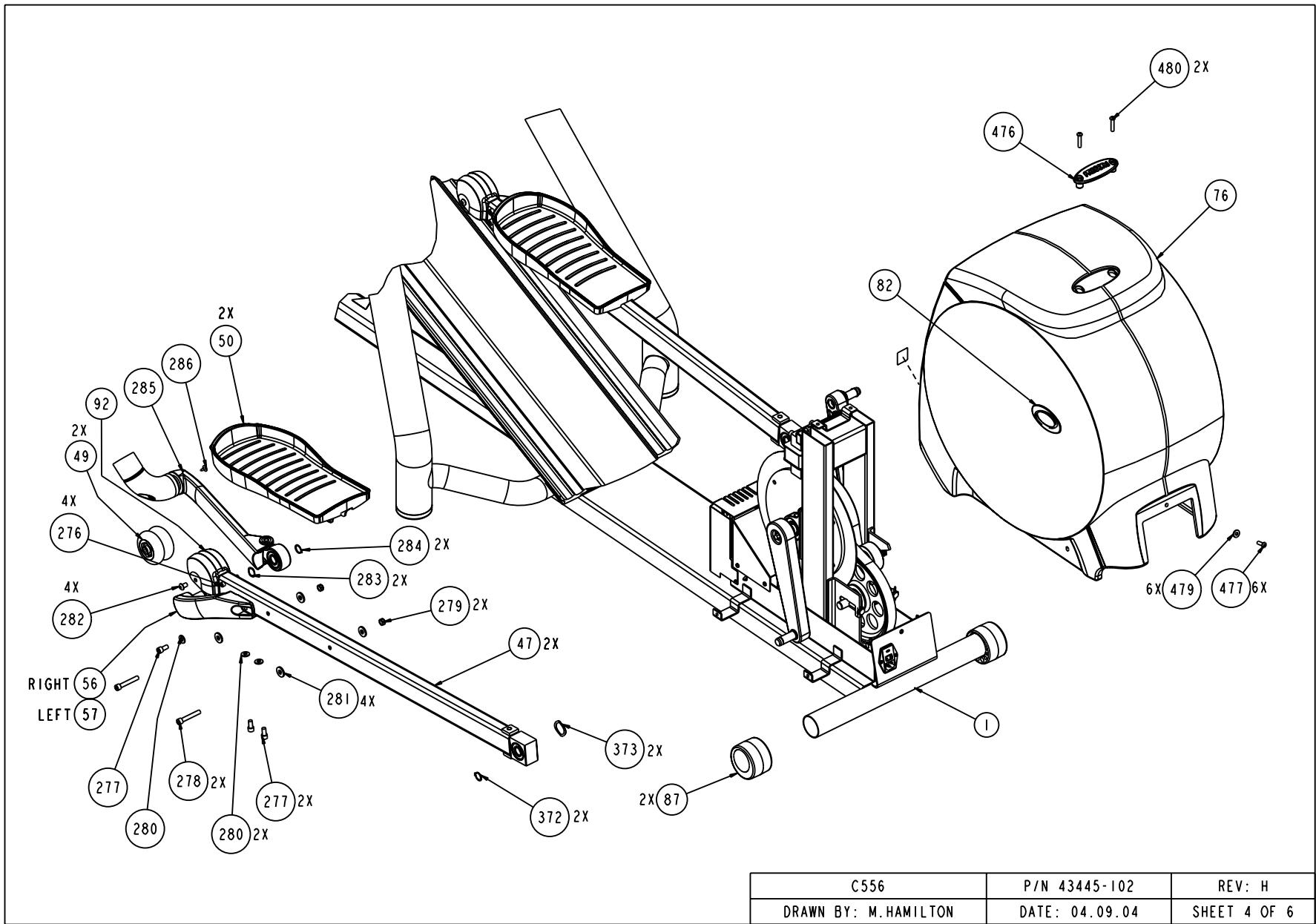


**HAND HELD HEART RATE DETAIL**  
SCALE 0.500

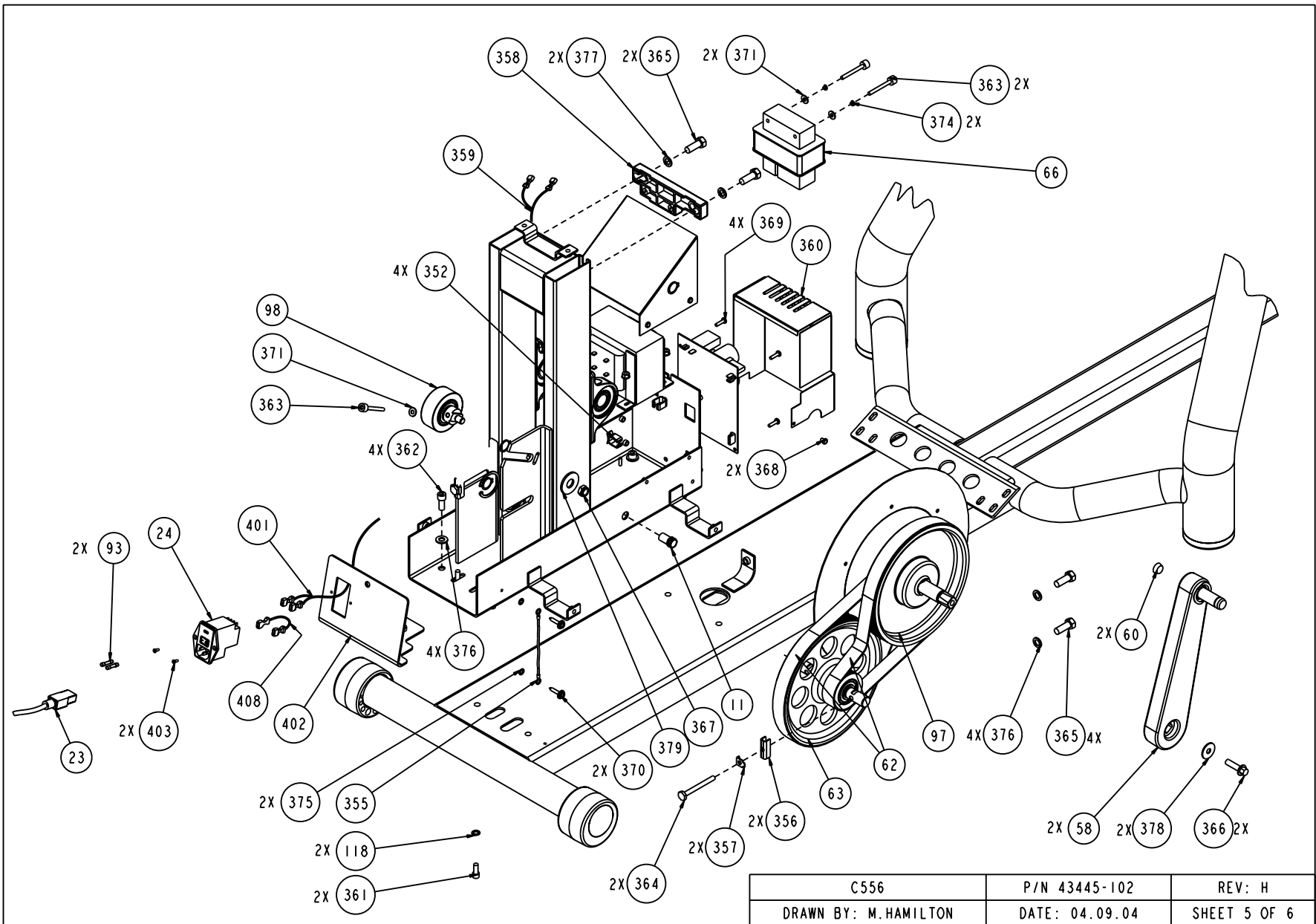
C556	P/N 43445-102	REV: H
DRAWN BY: M.HAMILTON	DATE: 04.09.04	SHEET 2 OF 6

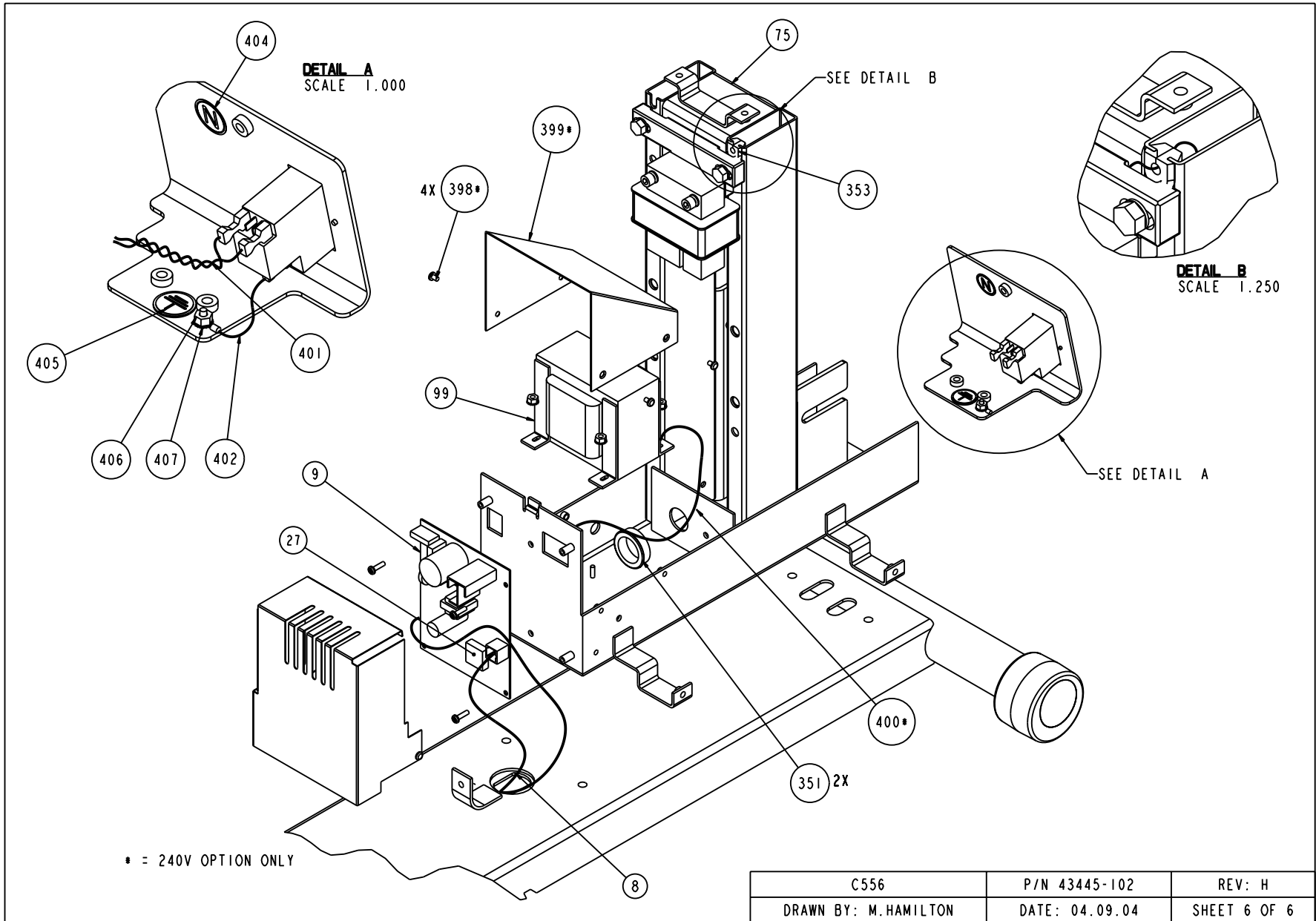


C556	P/N 43445-102	REV: H
DRAWN BY: M.HAMILTON	DATE: 04.09.04	SHEET 3 OF 6



C556	P/N 43445-102	REV: H
DRAWN BY: M.HAMILTON	DATE: 04.09.04	SHEET 4 OF 6





C556	P/N 43445-102	REV: H
DRAWN BY: M.HAMILTON	DATE: 04.09.04	SHEET 6 OF 6

**C556 (version 1) (serial code 6Q, 70, 8Y, AN)**

<b>Part Number</b>	<b>Description</b>	<b>Bubble Number</b>
39006-502	PCA,DISPLAY,C2	4
43080-507	ASSY,PCA&SW,C556,UPR	4.01
43244-110	PROM, PGMD, C556, UPR, V1.10	5
43699-511	ASSY,DISPLAY,LABEL,EN,556,LARGE KEY	6
44905-036	ASSY,CBL,MOD,8P8C,1-1,36"	7
44905-108	ASSY,CBL,MOD,8P8C,1-1,108"	8
43599-508	PCA,EFX,LWR,SERIAL	9
43165-503	ASSY,PCA&SW,C556,LWR	9.01
37301-103	ASSY, REMOTE SENSOR	11
43158-101	ASSY,UPPER HANDLEBAR,LEFT	21
43158-102	ASSY,UPPER HANDLEBAR,RIGHT	22
10392-212	POWER CORD,125VAC,10A,10.0FT,IEC RT	23
12167-102	PWR ENTRY MOD & FILTER,250VAC,3A	24
10714-101	SWITCH,ROCKER,DPST,PANEL MT	24.01
11415-102	COUPLER,MOD,8P8C,INLINE,SNAP-IN	29
43579-106	BOARD, CHR & WIRELESS/CONTACT PRIOR	32
44411-102	TOUCHSENSOR SHIELD,23-KEY,T2/C2/T3/	35
43329-102	WIRE FORM,PLASTIC,COMMERCIAL	36
43572-203	WELDMENT, FRAME, UPPER, HHR, PAINT	37
43105-201	RAMP, MACHINED, ANODIZED,C556	44
50571-103	KIT,ASSY, RAIL ARM PIVOT,C556	47
46875-102	ASSY, STAIRARM WHEEL OVERMOLD, BLAC	49
50578-102	ASSY, STAIRARM WHEEL, LARGE BEARING	49
50588-102	EFX WHEEL & COVER REPLACEMENT KIT	49.01
37314-108	PEDAL, FOOT	50
44774-102	ASSY. MAIN PIVOT, RIGHT	52
44774-101	ASSY. MAIN PIVOT, LEFT	53
43240-102	ASSEMBLY, ARM, CONNECTOR, RIGH	56
43240-101	ASSEMBLY, ARM, CONNECTOR, LEFT	57
50582-101	C546, C556 CRANKARM REPLACEMENT KIT	58.01
11286-101	MAGNET, NEODYMIUM 30, DIA=.50	60
10217-119	BELT,POLY-V,32 , 320J10	62
50538-102	ASSY, STEP UP PULLEY, C546	63
39314-101	ELECTROMAGNET,EC BRAKE,	66
50559-103	ASSY,REAR COVER,C546,TEXTURED	76
38215-103	LABEL,EFX LOGO,REAR COVER,DURO-LENZ	82
43679-501	LABEL,WIRING DIAGRAM,C556	83
43179-103	BACKPLATE, DISPLAY, COMMERCIAL, CHA	85
11406-101	FOOT, LEVELER	86
37534-102	FOOT, ADJUSTABLE	87
38305-102	FOOT,FRAME,MOLDED	88
43702-504	WHEEL, COVER, 556, PT	92
12223-200	FUSE,TIME-DELAY,2A,250V,5X20MM	93
11075-105	FUSE,2.00A,250VAC,SLOW,RADIAL	94
50569-102	KIT, 546 DRIVE INPUT	97
43928-101	ASSY, IDLER PULLEY	98
12264-101	RJ-45 TELEPHONE JACK PLUG	101
43208-110	LABEL, ACCESSORY TRAY,EN, 556	152
KGCN016-013	LOCKNUT, STARWASHER 8-32, HEX	153

39029-501	ASSY,CABLE,TOUCHSENSOR	154
PGKN016-050	SCREW,S/T,#8X1/2,TRS,PHIL,BLK	155
44954-013	ASSY,CBL,HHR TO DISPLAY,13"	156
10123-102	CABLE TIE, 3-7/8 LONG,WHITE,NYL	157
MGCN013-025	SCREW,MCH,6-32X1/4,PANHD,PHIL,	158
MGKN013-025	SCREW,MCH,6-32X1/4,PANHD,PHIL,	158
44954-013	ASSY,CBL,HHR TO DISPLAY,13"	159
10123-102	CABLE TIE, 3-7/8 LONG,WHITE,NYL	160
10115-113	O-RING, ROUND, 1.25ID X .139	176
42713-102	HHR SENSOR, TOP	177
42714-102	HHR SENSOR, BOTTOM	178
42730-101	PLUG, HHR, HANDLE BAR END	179
47342-040	ASSY, CABLE, HHR PCA TO GRIP, W/SH	180
TCNN016-075	SCREW, BTHD, 8-32X.75,SS	181
43175-104	COVER, CLAMP, UPPER,CHARCOAL GRAY	182
43176-103	COVER, CLAMP, LOWER,CHARCOAL GRAY	183
43177-101	GROMMET, CLAMP COVER	184
47718-102	HOLE PLUG, PLASTIC .875 X.13-.18	190
CCNN031-088	SCREW,SKHD,5/16-18X7/8,SS,LK	201
CCNN025-063	SCREW,SKHD,1/4-20X5/8,SS,LK	202
TCNN031-050	SCREW,BTHD,5/16-18, 1/2,SS	203
WPNN031-007	WASHER,ID=5/16,OD=688,THK=.065	204
WPNN028-006	WASHER,ID=.276,OD=.5,THK=.060	205
43253-101	ASSY, RAMP ENDCAP	206
WAGSN072-001	WASHER, WAVE .1.05 O.D., .755	250
50583-101	CS KIT, FOOT PEDAL PLUG, EFX, 12 PC	270
CCNN025-050	SCREW,SKHD,1/4-20 X0.50,SS,LK	276
CCNN031-063	SCREW,SKHD, 5/16-18 X 5/8, SS,LK	277
CCNN031-200	SCREW,SKHD,5/16-18X2,SS,LK	278
KADN031-016	LOCKNUT,HALF,5/16-18,CAD PLT	279
WPNN031-007	WASHER,ID=5/16,OD=688,THK=.065	280
WPNN038-008	WASHER,FLT,5/16X.875X.104,SS	281
TCNN031-050	SCREW,BTHD,5/16-18, 1/2,SS	282
WAGNN062-001	WASHER, WAVE, .87 OD X .62 ID	283
ABHN017-001	RING, RETAINER, EXTERNAL	284
43191-101	ASSY,LINK,SECONDARY	285
45484-101	PLASTIC MUSHROOM CAP	286
43591-103	ASSY,PLUG BRACKET,EFX,UNIVERSAL	290
43294-101	SCREW, SHOULDER	349
43232-501	LABEL,CAUTION PINCH POINTS	350
11276-101	BUSHING,SNAP,SPLIT,ID=51/64,	351
11278-101	CABLE CLAMP,INSERT	352
11284-101	GROM, HORSE SHOE, (Z-16555)	353
11419-101	CABLE CLIP, ON MOUNT,METAL	354
37175-101	ASSY, GROUND STRAP,5	355
37385-101	BRACKET, TENSIONER	356
37855-103	TAB, LOCKING	357
38237-102	ASSY,CBL,PCA/MAGNET	359
40748-101	SHIELD, PCA, LOWER	360
CAKN025-063	SCREW,SKHD,1/4-20X5/8,BLK ZN,LK	361
CBKN019-175	SCREW,SKHD,10-32X1.75,BLK ZN	363



HACN025-250	SCREW,1/4-20X2-1/2,HEX,GR 2,ZN	364
HECN038-100	SCREW,3/8-16 X1,HEX CAP,	365
HTKT008-018	BOLT,SHIMANO CRANK,M8X18MM, NYLK	366
KACN038-015	LOCKNUT,HALF,3/8-16,ZN	367
MGCN016-025	SCREW,MCH,8-32X1/4,PANHD,PHIL,	368
MGCN016-063	SCREW,MCH,8-32X5/8,PANHD,PHIL,	369
PKCN019-050	SCREW,S/T,#10X1/2,WSHHXHD,ZN	370
WACN019-005	WASHER, FLT, #10X.500X.049,ZN	371
ABHN017-001	RING, RETAINER, EXTERNAL	372
WAGNN062-001	WASHER, WAVE, .87 OD X .62 ID	373
WALCN019-005	WASHER, #10 SPLIT LOCK, ZINC	374
WATNN020-002	WASHER, LK-INT, #10, ID=.200,	375
WCCN031-008	WASHER, FLT, 5/16X.875X.083	376
WMSN039-006	WASHER, AN 960C616, ID=.390,	377
WNNN032-009	WASHER,FLT, .321X1.00X.090 THK	378
WTCN038-008	WASHER,GRADE 8,3/8,.438=ID,	379
43789-136	ASSY,CBL,2-COND,18AWG,36",QK DISC	401
38826-501	BRACKET,PLUG,PT,EFX,UNIVERSAL	402
MMCN003-008	SCR,M3X8MM,PHIL,ZN	403
37436-101	LABEL, CHASIS NEUTRAL	404
33984-101	LABEL, SAFETY, GROUND SYMBOL	405
KHCN019-013	LOCKNUT, STARWASHER, 10-32,	406
WATNN020-002	WASHER, LK-INT, #10, ID=.200,	407
43601-101	ASSY,WIRE,GND	408
43549-502	BADGE, COVER REAR, TR, PT, SD, OOH	476
TFKN025-075	SCREW,BTHD,1/4-20X3/4,BLK ZN	477
37235-101	LABEL, CAUTION: MOVING PARTS	478
37235-501	LABEL, CAUTION: MOVING PARTS	478
WNKN026-006	WASHER,FLT,1/4X.625X.063,BLK ZN	479
TAKN025-125	SCREW,BTHD,1/4-20X1-1/4,BLK ZN	480
43390-502	KIT,HARDWARE,C556	901
10186-101	WRENCH, ALLEN, 5/32	902
10186-102	WRENCH, ALLEN, 1/4	903
10186-107	WRENCH, ALLEN, 7/32	904
CCNN031-088	SCREW,SKHD,5/16-18X7/8,SS,LK	905
WPNN038-008	WASHER,FLT,5/16X.875X.104,SS	906
TFKN025-075	SCREW,BTHD,1/4-20X3/4,BLK ZN	907
TAKN025-100	SCREW,BTHD,1/4-20X1,BLK ZN	908
TCNT038-075	SCREW, BTHD,3/8-16X.75, SS	909
43444-103	KIT,LITERATURE,C556	999